

RT-MINI II

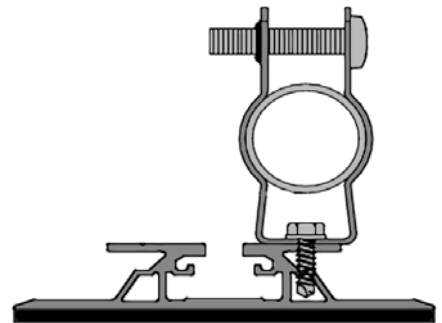
A Self-flashing PV Mount Featuring Roof Tech's AlphaSeal™ Technology



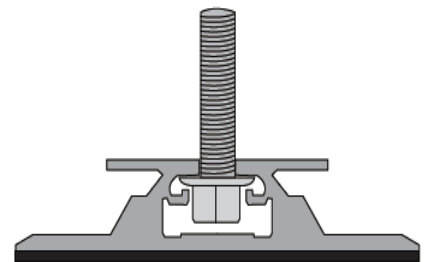
- ✓ No Caulking or Pre-Drilling Required
- ✓ Universal Attachment to Any Slope
- ✓ Metal, EPDM, TPO, SBS, & Asphalt Roofs
- ✓ Wide Range of Applications & Ultimate Flexibility the Roof
- ✓ No Need to Bend Rails 1 5/8 North & South Adjustment

RT-MINI II is suitable for all systems with any L-Foot

Conduit Strap Installation



RT Serrated Hex Flange Bolt/Nut:
5/16-18 x 1"



Installation Manual

ICC ESR 3575



Roof Tech

The Standard for Waterproof Flexible Flashing Since 1994

www.roof-tech.us

info@roof-tech.us

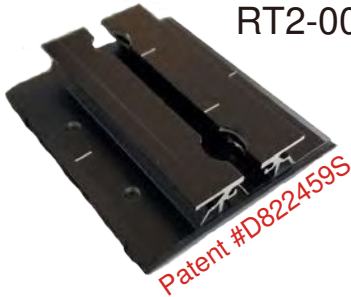


RT-MINI II

Flexible Flashing Certified by the International Code Council (ICC)

Components

RT2-00-MINIBK2



Patent #D822459S

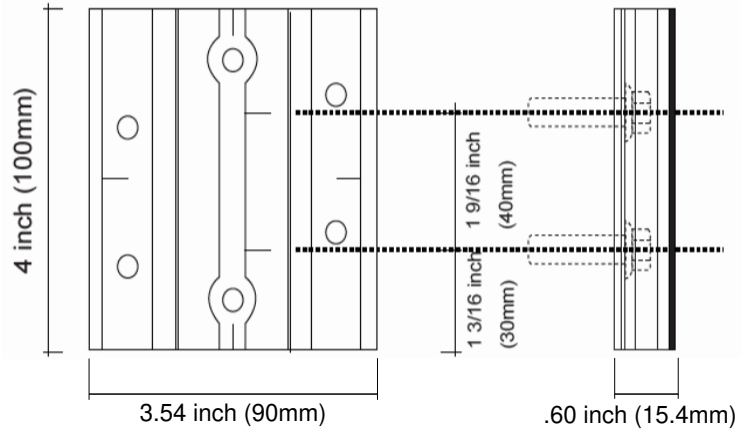


MINI II base : 20 ea.
Screw : 40 ea.
Extra RT-Butyl : 4 ea.

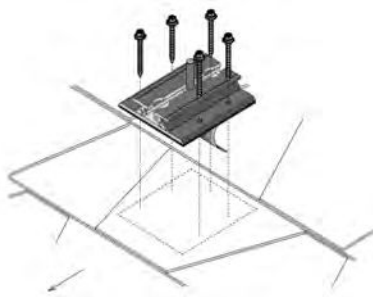
Optional Items:

- 5 x 60mm Mounting Screw (RT2-04-SD5-60) : 100 ea./Bag
- 5/16 X 25MM Flange Bolt & Nut (RT2-04-FBN25) : 100 ea./Bag
- RT-Butyl (RT2-04-MNBUTYL) : 10 ea./Box

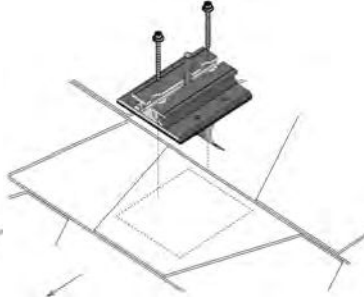
Dimensions in (mm)



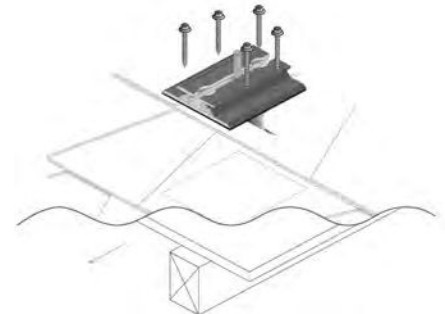
Deck Installation OSB & PLY



Rafter Installation Hybrid Mounting



Offset Rafter Installation



Roof Tech Inc. AlphaSeal™ Technology has been used on over one million residential PV systems since 1994. It is the first PV mounting system with Flexible Flashing certified by the ICC, engineered to withstand wind speeds up to 180 mph and ground snow up to 90 psf.

Engineered to ASTM D 1761
(Standard Test Methods for Mechanical Fasteners in Wood)

ICC ESR-3575

ASTM2140 Testing

P.E. Letters



Support & Downloads



Offset Rafter Attachment Options

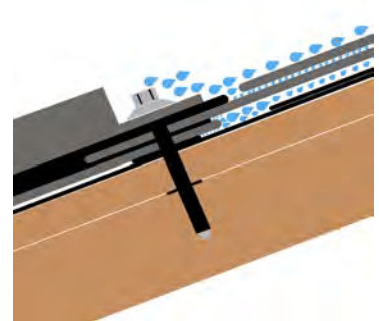


Metal Flashing Retrofit



Shedding Water?

Flexible Flashing



100% Waterproof

Roof Tech Inc.
www.roof-tech.us info@roof-tech.us
10620 Trenea Street, Suite 230, San Diego, CA 92131
858.935.6064