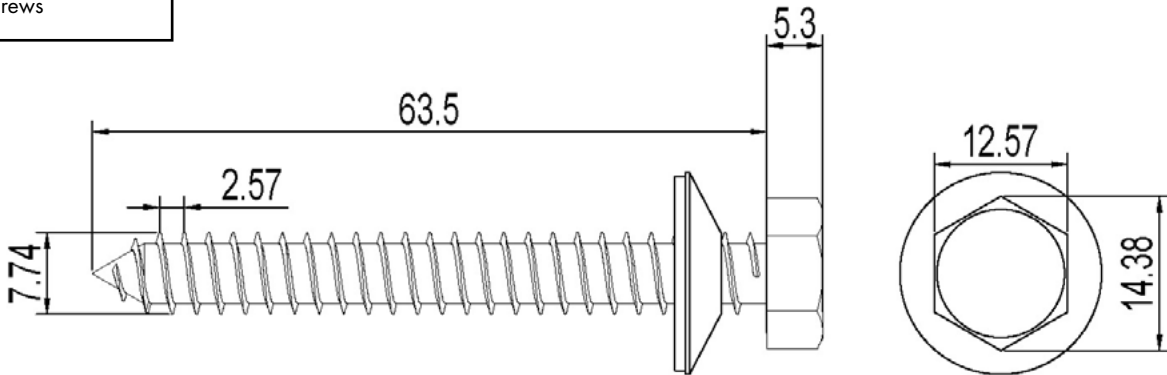


SPEC SHEET

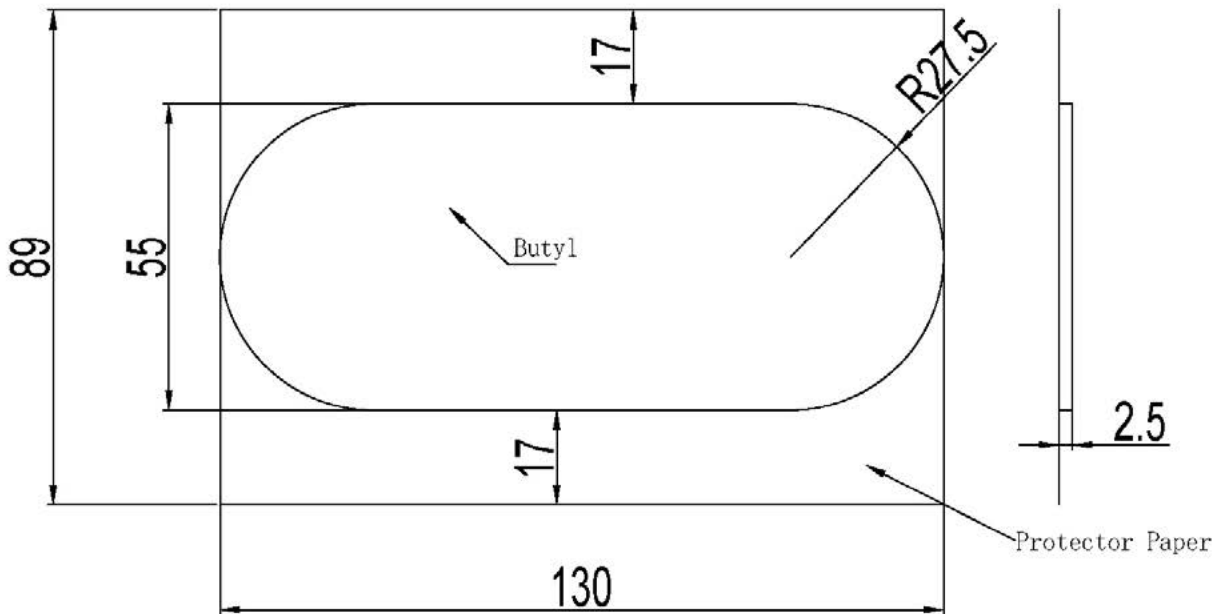
Part #	Box Quantity
16319	36 Mounts + 144 Screws w/ EPDM Washers



PN# 16319
Screws



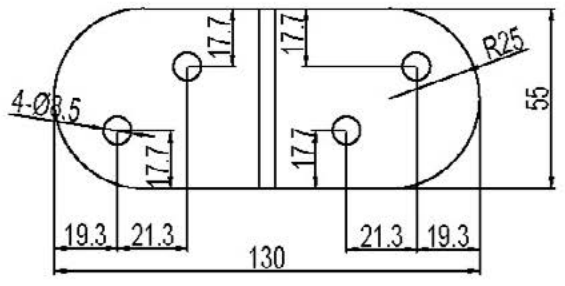
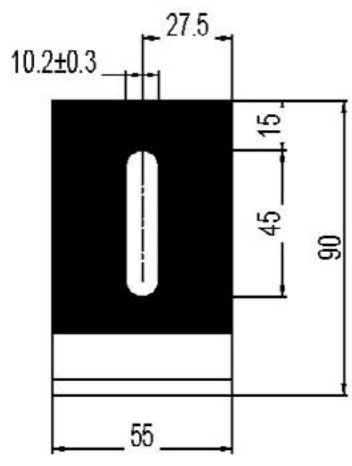
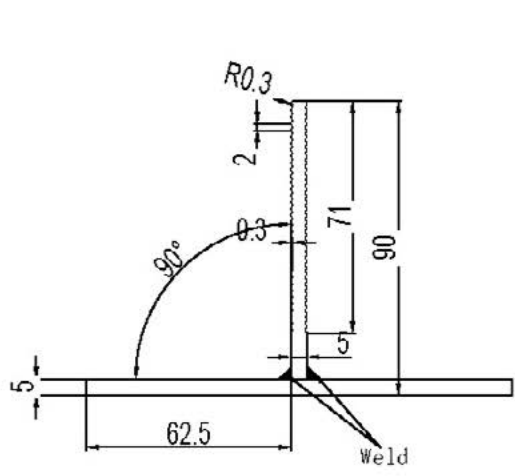
Tolerance Range		QuickBOLT		Scale	Quantity
Baiting tolerance	±2 mm			Material	
Hole tolerance	±0.3 mm			Drawing No.	
Hole distance tolerance	±0.5 mm			Design	
Form tolerance	±2 mm			Confirm	
Thicknessness tolerance	±0.1 mm			Verify	
Angle tolerance	±1° mm			Finish	



Tolerance Range		QuickBOLT		Scale	Quantity
Baiting tolerance	±2 mm			Material	EPDM
Hole tolerance	±0.3 mm			Drawing No.	
Hole distance tolerance	±0.5 mm			Design	
Form tolerance	±2 mm			Confirm	
Thicknessness tolerance	±0.1 mm			Verify	
Angle tolerance	±1° mm			Finish	

PN# 16319
Butyl backing

PN# 16319
T-Foot



Tolerance Range						
Baiting tolerance	±2 mm					
Hole tolerance	±0.3 mm					
Hole distance tolerance	±0.5 mm	Design			Scale	Quantity
Form tolerance	±2 mm	Drawing			Material	SUS304
Thickness tolerance	±0.1 mm	Confirm			Drawing No.	
Angle tolerance	±1° mm	Verify			Finish	
			16319 & 16320			